



INSTALLATION INSTRUCTIONS

Part Number SU-5098

This filter fits: SEE CATALOG FOR CURRENT APPLICATIONS

Congratulations, you have purchased the finest air filter that money can buy. With proper care, this filter can last many seasons. This filter can be used in a stock machine, with no modifications required. If any engine modifications have been made tuning/jetting adjustments may be required. There are special installation instructions, so please follow the procedures outlined below to ensure the K&N Filtercharger® seals properly.

INSTALLATION

1. Remove the stock air filter.
2. Apply a thin layer of the provided K&N Sealing Grease to the air filter sealing surface.
3. Install the provided top plate, washers and wing bolt onto the K&N Filtercharger®. (Fig. 1)
4. Install the K&N Filtercharger® into the air box.
5. Tighten the wing bolt. Do not overtighten.
6. Reinstall the air box lid.

Available to purchase separately

Precharger Wrap; SU-5098PY

THESE INSTRUCTIONS MUST BE FOLLOWED EVERY TIME THE FILTER IS SERVICED, OTHERWISE THE FILTER MAY NOT SEAL, AND DAMAGE TO THE ENGINE COULD RESULT.

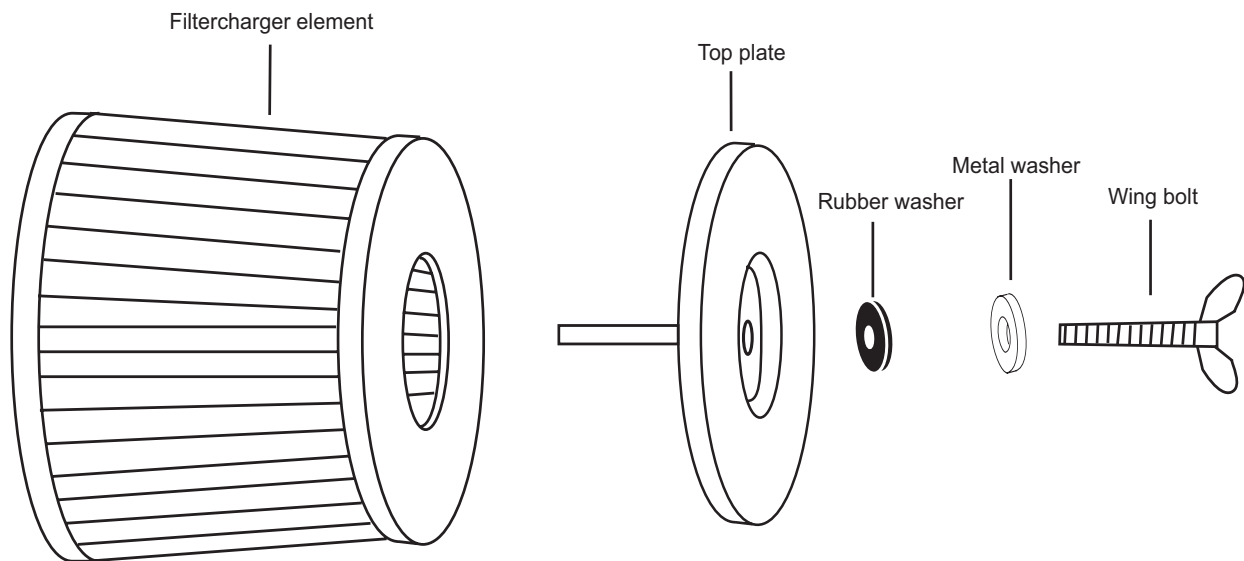


Fig. 1