



NOT LEGAL FOR SALE OR USE ON ANY POLLUTION CONTROLLED MOTOR VEHICLE IN CALIFORNIA OR STATES ADOPTING CALIFORNIA EMISSION PROCEDURES.

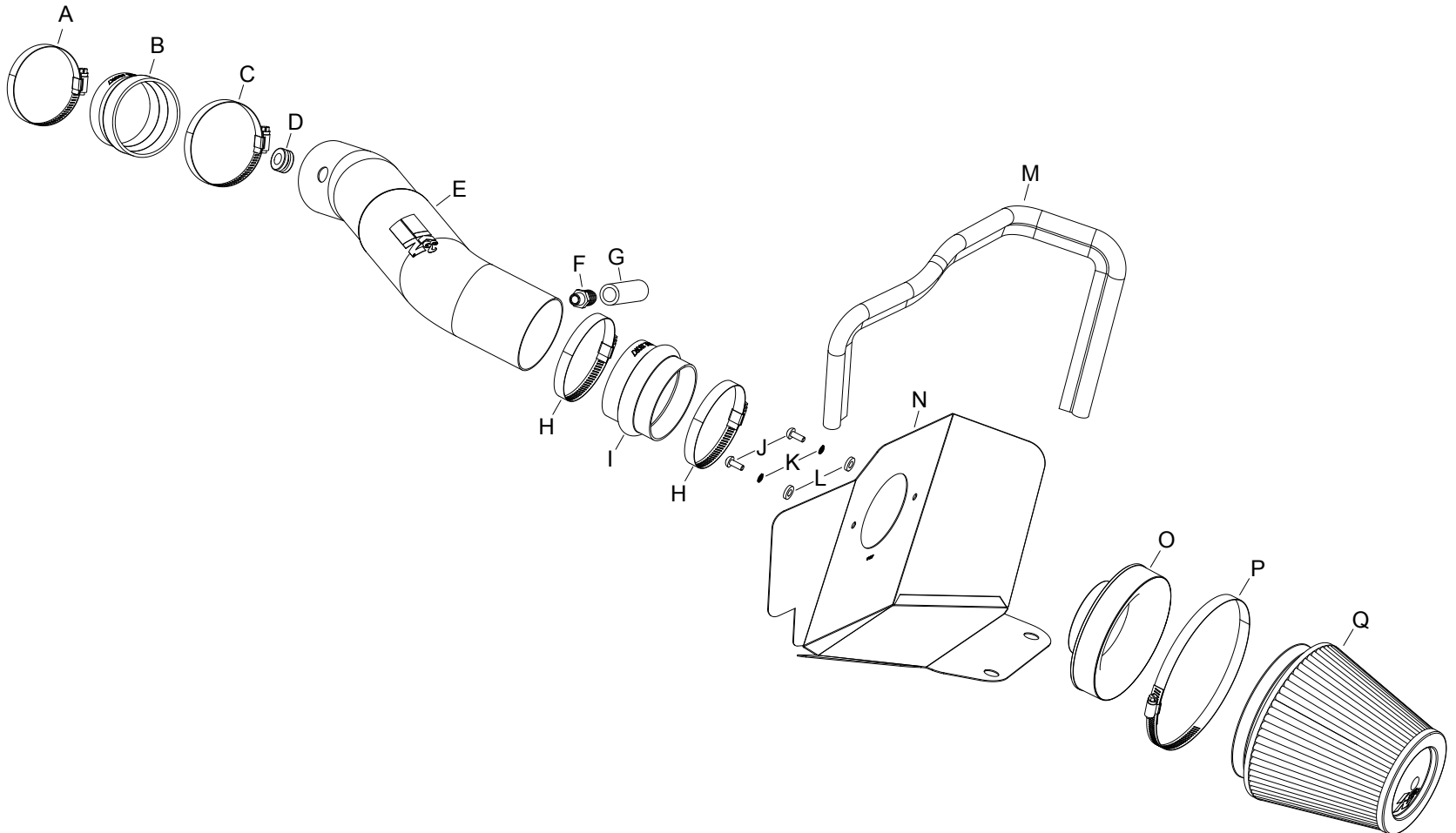
See knfilters.com for CARB status on each part for a specific vehicle

## INSTALLATION INSTRUCTIONS

### 77-1572KS JEEP / DODGE 2016-19 Grand Cherokee / Durango V6-3.6L

#### TOOLS NEEDED:

ratchet  
extension  
10mm socket  
4mm allen  
3/4" wrench  
flat blade screw driver



#### PARTS LIST:

Description	Qty.	Part #	Description	Qty.	Part #	Description	Qty.	Part #
A HOSE CLAMP #48	1	08601	G HOSE; 5/8" ID X 3" L	1	08464	M EDGE TRIM (55")	1	102480
B HOSE; 3-1/4" TO 3" ID X 2" L	1	08186	H HOSE CLAMP #56	2	08620	N HEAT SHIELD	1	074087
C HOSE CLAMP #52	1	08610	I HOSE; 3-1/2" ID X 2-1/2" L	1	08699	O ADAPTER; UNIVERSAL, 6"	1	21512-1
D GROMMET; 1"OD, 1/2"ID, 1/2"	1	08064	J BOLT; M6 X 1.00 X 16MM, SS	2	07730	P HOSE CLAMP # 104	1	08697
E INTAKE TUBE	1	27669S	K WASHER, M6 SPLIT LOCK ZINC	2	1-3025	Q AIR FILTER	1	RF-1042
F VENT; STRT, 5/8 BARBED 1/4	1	08911-1	L WASHER; 1/4"ID X 5/8"OD	2	08275			

If you need any assistance please call 1-800-858-3333 to speak with a representative in our Customer Service Center before returning the product.

**NOTE: FAILURE TO FOLLOW INSTALLATION INSTRUCTIONS AND NOT USING THE PROVIDED HARDWARE MAY DAMAGE THE INTAKE TUBE, THROTTLE BODY AND ENGINE.**

#### TO START:

1. Turn off the ignition and disconnect the negative battery cable.

**NOTE: Disconnecting the negative battery cable erases pre-programmed electronic memories. Write down all memory settings before disconnecting the negative battery cable. Some radios will require an anti-theft code to be entered after the battery is reconnected. The anti-theft code is typically supplied with your owner's manual. In the event your vehicles anti-theft code cannot be recovered, contact an authorized dealership to obtain your vehicles anti-theft code.**



2. Lift up the inspection cover and remove the bolt that secures the decorative engine cover. Then remove the decorative engine cover from the vehicle.

**NOTE: The cover is also secured by four mounting studs and grommets**



3. Disconnect the inlet air temperature sensor electrical connection.



4. Loosen the hose clamps securing the intake tube to the throttle body and air filter housing and then remove the intake tube assembly from the vehicle.

**NOTE: The intake tube assembly is also held on two mounting studs and grommets.**



5. Disconnect the crank case vent tube from the elbow attached to the factory air filter housing as shown.



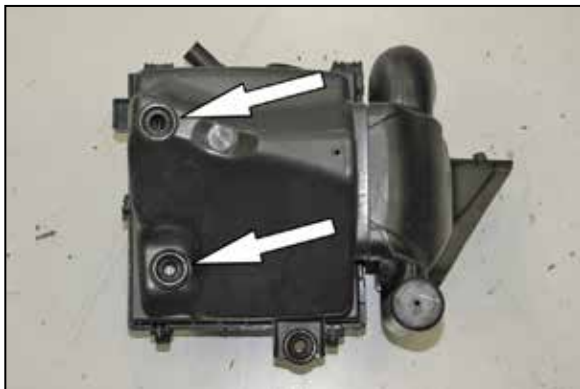
6. Unhook the hood seal mounting pin from the fresh air intake scoop.



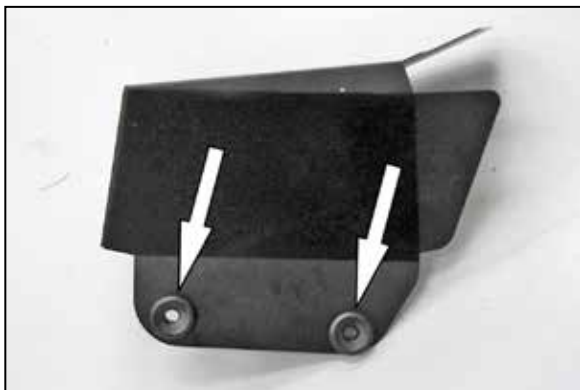


7. Lift up the air filter housing to dislodge it from the mounting grommets and then remove it from the vehicle.

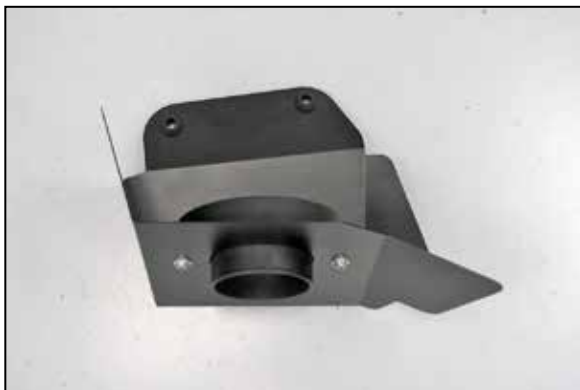
**NOTE: K&N Engineering, Inc., recommends that customers do not discard factory air intake.**



8. Remove two of the mounting grommets from the factory air filter housing.



9. Install the two mounting grommets from the previous step into the K&N® heat shield as shown.



10. Install the filter adapter into the K&N® heat shield and secure with the provided hardware as shown.



11. Install the provided edge trim onto the heat shield as shown.  
**NOTE: Some trimming of the edge trim will be necessary.**



12. Install the provided hump coupler (08699) onto the filter adapter and secure with the provided hose clamp.



13. Install the K&N® air filter onto the filter adapter and secure with the provided hose clamp.  
**NOTE: Drycharger® air filter wrap; part # RF-1042DK is available to purchase separately. To learn more about Drycharger® filter wraps or look up color availability please visit <http://www.knfilters.com>®.**



14. Install the heat shield/Air filter assembly onto the air filter housing mounting studs as shown.



15. Remove the inlet air temperature sensor from the factory intake tube.  
**NOTE: The inlet air temperature sensor is very fragile, use care while removing the sensor.**



16. Install the provided grommet into the K&N® intake tube then remove the O-Ring from the inlet air temperature sensor and then install the sensor into the grommet install into the K&N® intake tube.  
**NOTE: The inlet air temperature sensor is very fragile, use care while handling the sensor.**



17. Install the provided vent fitting into the K&N® intake tube as shown.

**NOTE: Plastic NPT fittings are easy to cross thread. Install the vent fitting “hand” tight, then turn it two complete turns with a wrench.**



18. Install the provided step coupler onto the throttle body and secure with the provided hose clamp.



19. Install the K&N® intake tube into the coupler at the throttle body and then into the hump coupler, adjust the tube for best fit and then secure with the provided hose clamps.

**NOTE: Due to manufacturer tolerance, the A/C line may need to be slightly repositioned to prevent contact with the intake tube and hose.**



20. Reconnect the inlet air temperature sensor electrical connection.



21. Install the provided crank case vent hose onto the fitting installed into the K&N® intake tube and then connect the other end to the factory crank case vent tube.



22. Reinstall the decorative engine cover and secure with the factory bolt.



23. Reconnect the vehicle's negative battery cable. Double check to make sure everything is tight and properly positioned before starting the vehicle.

24. It will be necessary for all K&N® high flow intake systems to be checked periodically for realignment, clearance and tightening of all connections. Failure to follow the above instructions or proper maintenance may void warranty.

#### ROAD TESTING:

1. Start the engine with the transmission in neutral or park, and the parking brake engaged. Listen for air leaks or odd noises. For air leaks secure hoses and connections. For odd noises, find cause and repair before proceeding. This kit will function identically to the factory system except for being louder and much more responsive.

2. Test drive the vehicle. Listen for odd noises or rattles and fix as necessary.

3. If road test is fine, you can now enjoy the added power and performance from your kit.

4. K&N Engineering, Inc., requires cleaning the intake system's air filter element every 100,000 miles. When used in dusty or off-road environments, our filters will require cleaning more often. We recommend that you visually inspect your filter once every 25,000 miles to determine if the screen is still visible. When the screen is no longer visible some place on the filter element, it is time to clean it. To clean and re-oil, purchase our filter Recharger® service kit, part number 99-5050 or 99-5000 and follow the easy instructions.

**NOT LEGAL FOR SALE OR USE ON ANY POLLUTION CONTROLLED MOTOR VEHICLE IN CALIFORNIA OR STATES ADOPTING CALIFORNIA EMISSION PROCEDURES.**

See [knfilters.com](http://knfilters.com) for CARB status on each part for a specific vehicle