



AIRCHARGER®

HIGH-FLOW INTAKE KITS

NOT LEGAL FOR SALE OR USE ON ANY POLLUTION CONTROLLED MOTOR VEHICLE IN CALIFORNIA OR STATES ADOPTING CALIFORNIA EMISSION PROCEDURES.

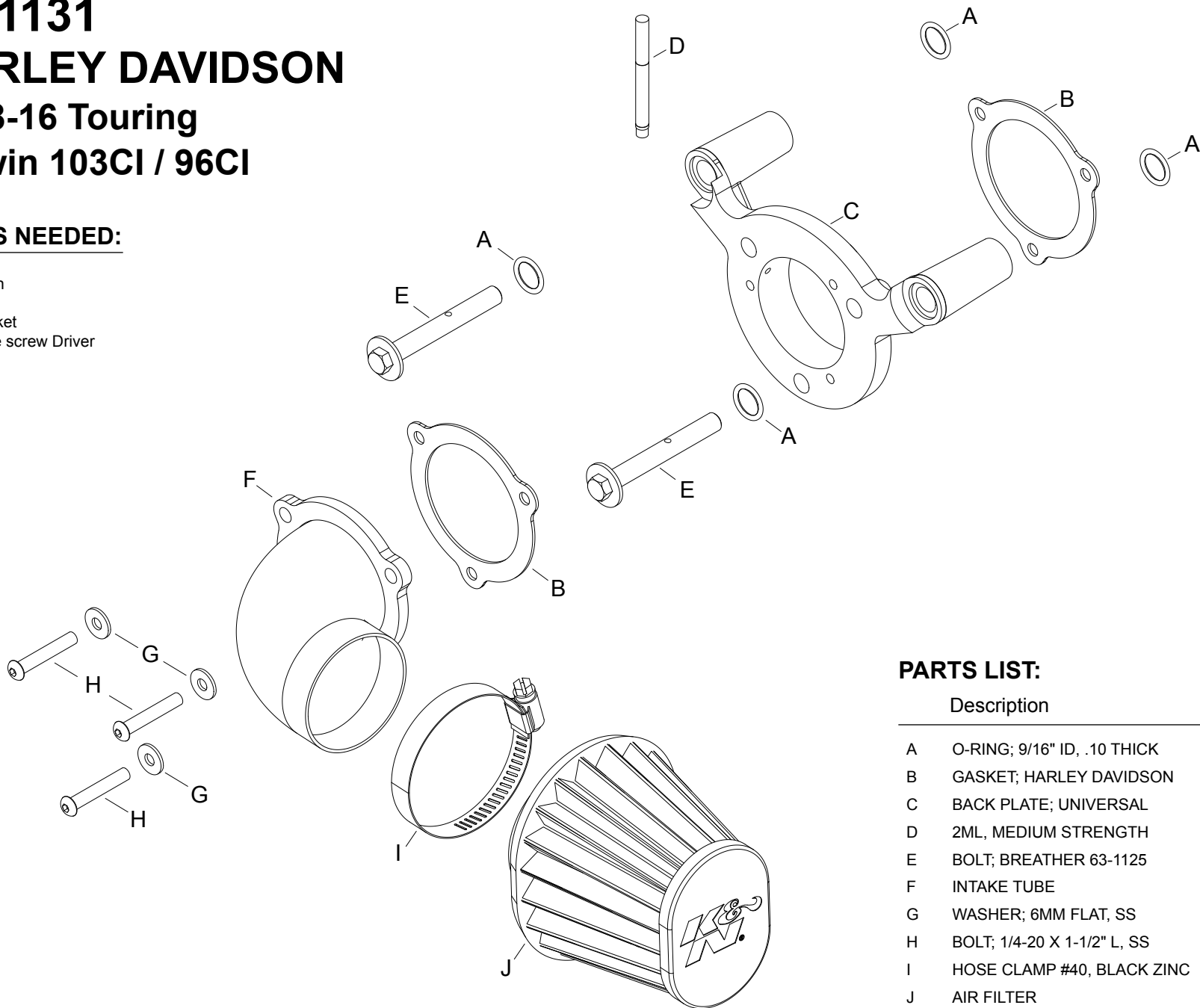
See knfilters.com for CARB status on each part for a specific vehicle.

INSTALLATION INSTRUCTIONS

63-1131
HARLEY DAVIDSON
2008-16 Touring
V-Twin 103CI / 96CI

TOOLS NEEDED:

- 3/8" allen
- 5/32" allen
- T27 Torx
- 7/16" socket
- Flat Blade screw Driver



PARTS LIST:

Description	Qty.	Part #
A O-RING; 9/16" ID, .10 THICK	4	07761
B GASKET; HARLEY DAVIDSON	2	09708
C BACK PLATE; UNIVERSAL	1	01911
D 2ML, MEDIUM STRENGTH	1	482
E BOLT; BREATHER 63-1125	2	22212
F INTAKE TUBE	1	27636TK
G WASHER; 6MM FLAT, SS	3	08269
H BOLT; 1/4-20 X 1-1/2" L, SS	3	22216
I HOSE CLAMP #40, BLACK ZINC	1	08554K
J AIR FILTER	1	RE-0961

If you need any assistance please call 1-800-858-3333 to speak with a representative in our Customer Service Center before returning the product.

NOTE: FAILURE TO FOLLOW INSTALLATION INSTRUCTIONS AND NOT USING THE PROVIDED HARDWARE MAY DAMAGE THE INTAKE TUBE, THROTTLE BODY AND ENGINE.

TO START:

1. Turn off the ignition and disconnect the negative battery cable.
NOTE: Disconnecting the negative battery cable erases pre-programmed electronic memories. Write down all memory settings before disconnecting the negative battery cable. Some radios will require an anti-theft code to be entered after the battery is reconnected. The anti-theft code is typically supplied with your owner's manual. In the event your vehicles anti-theft code cannot be recovered, contact an authorized dealership to obtain your vehicles anti-theft code.



2. Remove the decorative badge from the air filter cover.



3. Remove the bolt securing the air filter cover and then remove the cover from the vehicle.



4. Remove the three bolts which secure the factory air filter to the base plate and then remove the air filter from the vehicle.



5. Remove the two factory crank case breather bolts and then remove the filter back plate from the vehicle.

NOTE: K&N Engineering, Inc., recommends that customers do not discard factory air intake.



6. Install the three provided tube mounting bolts into the K&N® intake tube and then install one of the two provided gaskets onto the bolts.



7. Install two of the provided O-Rings into the engine side of the K&N® intake tube adapter.



8. Install the tube with the bolts and gasket onto the tube adapter and then install the remaining gasket onto the adapter.



9. Apply one drop of the provided thread locker onto the tube mounting bolts. Install the complete tube and adapter assembly onto the throttle body and secure with the tube mounting bolts.

NOTE: Do not completely tighten the tube bolts at this time.



10. Install the two remaining O-Rings and K&N® breather bolts into the tube adapter. Tighten all of the hardware at this time.



11. Install the K&N® air filter and secure with the provided hose clamp.

12. Reconnect the vehicle's negative battery cable. Double check to make sure everything is tight and properly positioned before starting the vehicle.

13. It will be necessary for all K&N® high flow intake systems to be checked periodically for realignment, clearance and tightening of all connections. Failure to follow the above instructions or proper maintenance may void warranty.

ROAD TESTING:

1. Start the engine with the transmission in neutral or park, and the parking brake engaged. Listen for air leaks or odd noises. For air leaks secure hoses and connections. For odd noises, find cause and repair before proceeding. This kit will function identically to the factory system except for being louder and much more responsive.

2. Test drive the vehicle. Listen for odd noises or rattles and fix as necessary.

3. If road test is fine, you can now enjoy the added power and performance from your kit.

4. K&N Engineering, Inc., requires cleaning the intake system's air filter element every 100,000 miles. When used in dusty or off-road environments, our filters will require cleaning more often. We recommend that you visually inspect your filter once every 25,000 miles to determine if the screen is still visible. When the screen is no longer visible some place on the filter element, it is time to clean it. To clean and re-oil, purchase our filter Recharger® service kit, part number 99-5050 or 99-5000 and follow the easy instructions.

NOT LEGAL FOR SALE OR USE ON ANY POLLUTION CONTROLLED MOTOR VEHICLE IN CALIFORNIA OR STATES ADOPTING CALIFORNIA EMISSION PROCEDURES.

See knfilters.com for CARB status on each part for a specific vehicle