

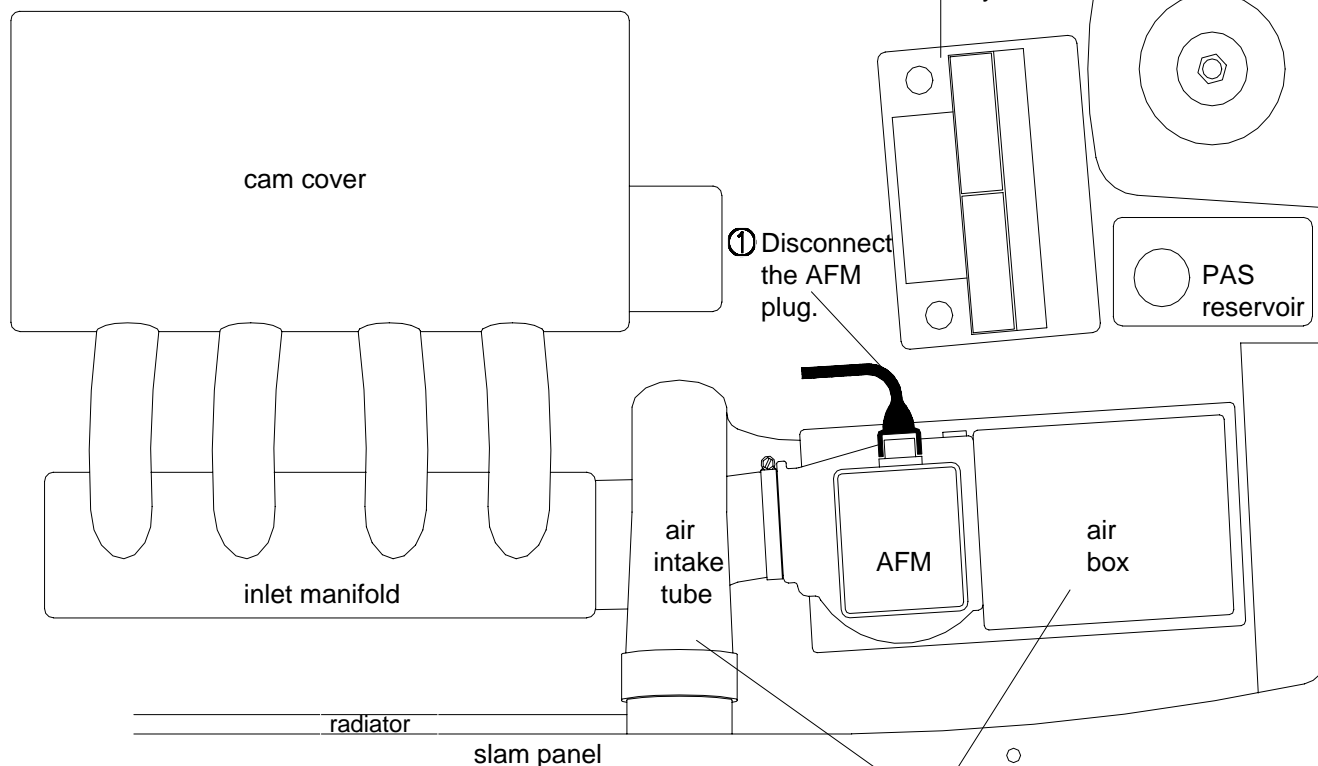
PLEASE READ THESE INSTRUCTIONS CAREFULLY BEFORE FITTING THIS KIT

If you have a problem, however small, call our Technical Department

Tel:- 01925 636950. Fax:- 01925 243111 Mon - Thurs 8.30 - 5pm.

Drawing A

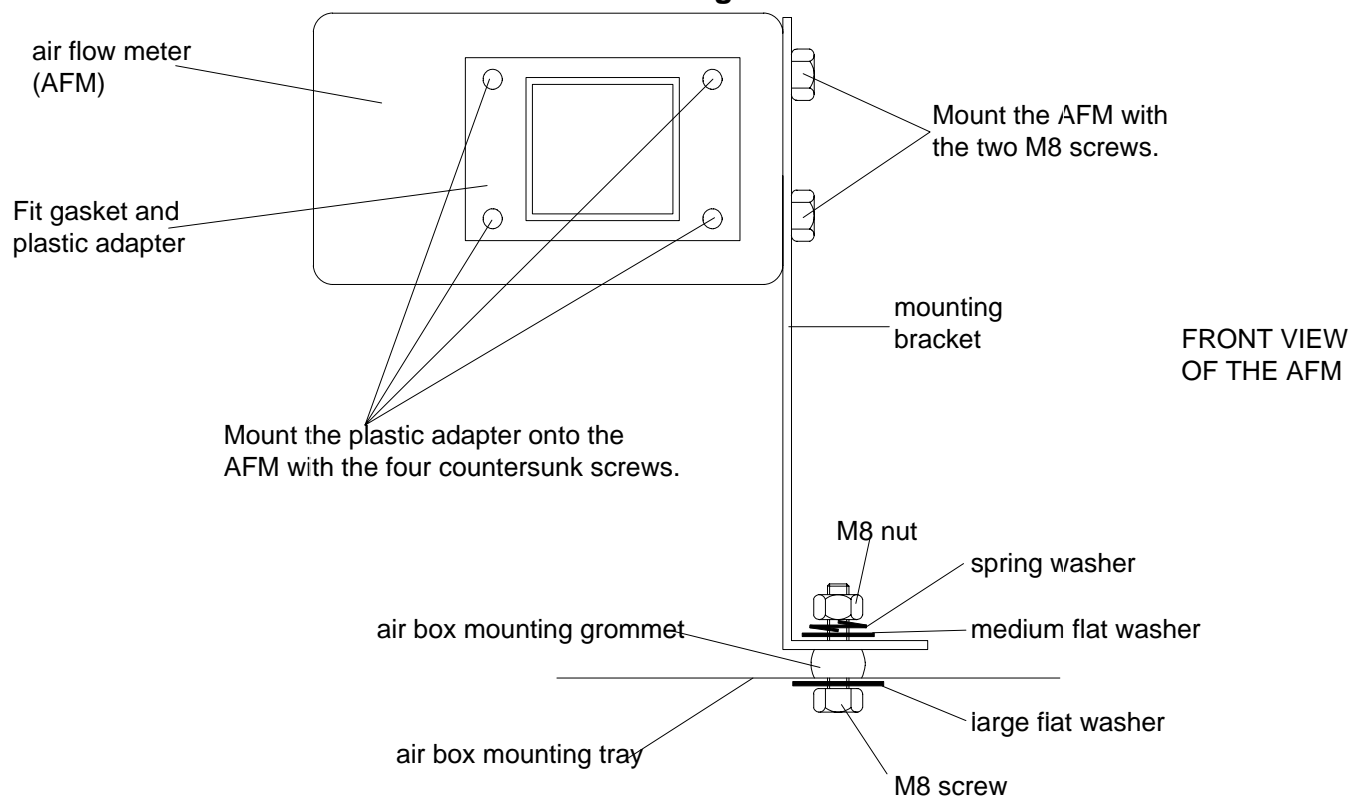
TOP VIEW



③ Remove the AFM from the air box lid and mount the AFM to the air box tray with the new mounting bracket as shown in drawing B.

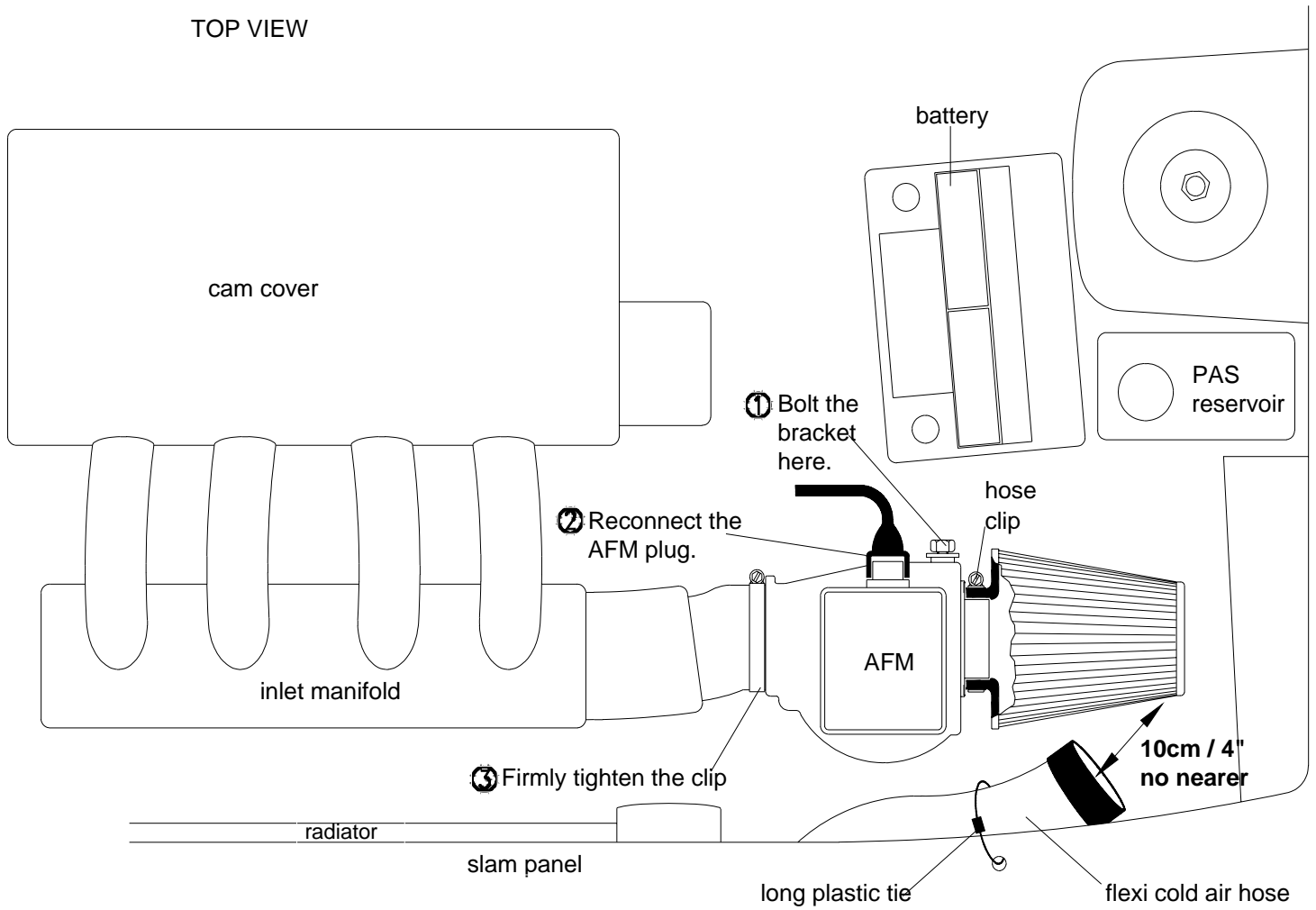
② Remove the complete air intake assembly and AFM, but leave the flexi intake hose on the inlet manifold.

Drawing B



FRONT VIEW OF THE AFM

TOP VIEW

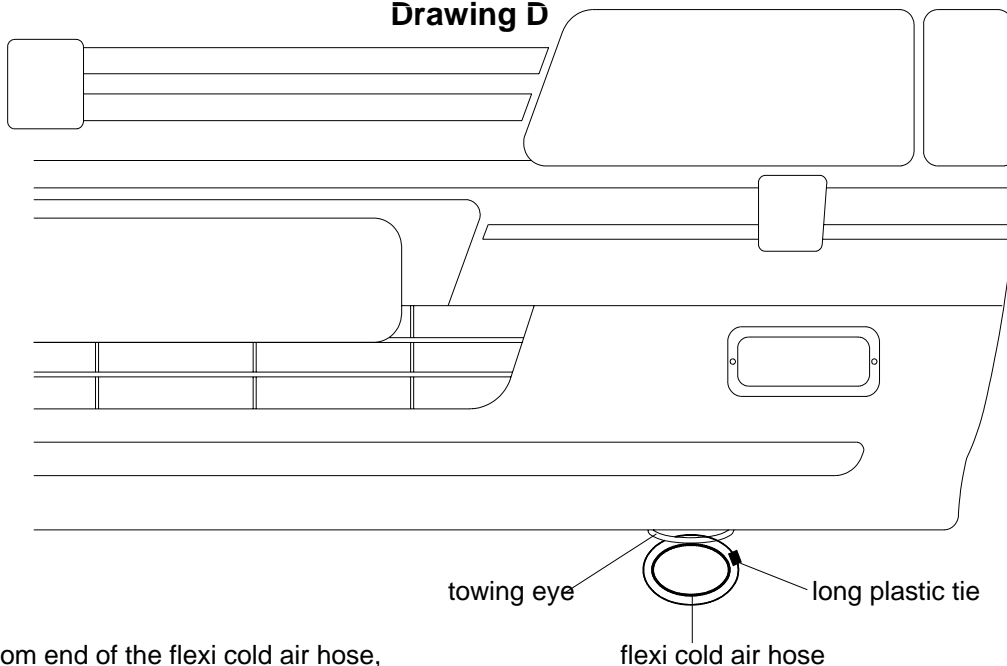


4 Fit the filter with the K&N logo straight and the clip slack. Gently tighten the clip to the point where it is just possible to move the filter off the adapter. Push the filter back down and tighten the clip one full turn (360 degrees) **no more.** **Don't overtighten the clip.**

5 Lengthen the flexi cold air hose to 81cm / 32" approx. Feed the hose down past the radiator to the lower bumper skirt. Attach the flexi cold air hose to the slam panel with a long plastic tie, direct the cold air hose at the filter making sure that the end is no nearer than 10cm / 4".

Drawing D

FRONT VIEW



Ovalise the bottom end of the flexi cold air hose, then tie to the towing eye with a long plastic tie.

Tuning.

CAT. Cars No adjustments required

An increase in fuel mixture may be required if further modifications are carried out.

Filter Maintenance.

Under normal conditions clean and reoil the filter at approx. 40,000 miles / 65,000km.

Use only K&N cleaner and oil and follow the instructions carefully.

K&N filters are pre-oiled ready to fit

The advantage of K&N's cold air intake system.

Cooler air being denser, will show positive improvements in power over filter systems that draw hot air from the engine bay.

This Kit Should Contain:-

- 1 x Air Filter
- 1 x #48 Hose clip
- 1 x Bracket
- 1 x 60mm Cold Air Hose Assembly
- 1 x Instruction Sheet
- 1 x Instruction Pack :-
 - 1 x K&N window sticker.
 - 1 x Filter Maintenance Sheet.
 - 1 x Million Mile Warranty.
 - 1 x Leaflet.
- 1 x Fixing Kit :-
 - 1 x Plastic Filter Adapter
 - 1 x Gasket
 - 4 x M6 Hex head screws
 - 2 x M8 x 16 screws
 - 1 x M8 x 35 lg screw
 - 1 x M8 Nut
 - 1 x Medium Flat Washer
 - 1 x Large Flat Washer
 - 1 x 8mm Spring Washer
 - 4 x small washers
 - 2 x Long Plastic Ties

FITTING YOUR OWN 57i KIT

If not **it is essential** that the person fitting the kit (e.g. mechanic) **carefully follows these particular instructions** even if he has fitted K&N kits before. This will save you both time and money. kits incorrectly fitted may show a loss in performance e.g. the positioning of the essential cold air hose, (flexi expandable and rubber hoses are used).

A final check under the bonnet, by yourself with the instructions, would seem sensible