

PLEASE READ THE INSTRUCTIONS BEFORE FITTING THE KIT
If you have a problem, however small, call our Technical Department.
Tel:- 01925 636950. Fax:- 01925 243111. Mon - Thurs 8.30am - 5pm.

NOTE: This kit is designed to fit both the early and late models.

Check instructions and drawings carefully as there are some differences in the two models.

- 1 Remove the plug from the end of the idle regulating valve (**I.R.V.**) which is attached to the air box lid. Remove the hose attached to the **I.R.V.**
- 2 Remove the air filter assembly, leaving in place the rubber inlet hose. **Early model**, remove the two nuts under the air box and one on the front panel. **Later model**, remove one nut on the front panel, then lift out, **firmly**. Remove the breather hose, both models.
- 3 Release the **I.R.V.** from the air box lid. Attach the new adaptor unit and gasket to the **I.R.V.** with the outlet pipe at the opposite end to the plug. If required smear a small amount of grease to help sealing. If using instant gasket or similar sealant take care as any excess may reduce the hole sizes and cause irregular running. Fit the two original short screws to the bottom section. Then fit the metal strap behind the bracket and attach to the **I.R.V.** with the long screws. Refit the plug into the idle regulating valve. **Drawing A.**
- 4 **Cold air system**
Earlier model. **Carefully** lengthen the flexi cold air hose to approximately 38cm/15". Remove the plastic front panel and feed the cold air hose into the intake, no tie required **Drawing D.** Fit the small two holed bracket to the front lower rubber bobbin, and attach the hose to the bracket with a plastic tie. **Drawing B.**
- 5 **Later model.** **Carefully** lengthen the flexi cold air hose to approximately 50cm/20", feed the hose around the radiator to finish behind the front grille. Using plastic ties attach the hose to the radiator and top hose. Position the end of the cold air hose to finish approximately 10cm/4" away from the filter (**no nearer**). **Drawing E.**
- 6 Fit the metal strap to the top of the metal tube, using the stud, nut and spring washer. Fit the metal tube into the rubber intake hose. **Drawings B & C.**
- 7 Attach the metal strap to the rubber bobbin on the front panel. Fit the breather hose to inlet 2 and the **I.R.V.** hose to inlet 1, **Drawing C.** Connect the **I.R.V.** hose to the outlet pipe on the new adaptor, **Drawing B.** Connect the original **I.R.V.** hose to the **I.R.V.** using the original hose clip.
- 8 Mount the filter onto the metal tube and adjust until the K & N logo is straight before tightening the clip. Tighten the clip until the filter **just rotates**, then give one full turn (360 degrees). **No more. Don't overtighten the clip.** Finally position the end of the cold air hose to finish approximately 10cm/4" away from the filter (**no nearer**).
- 9 **Tuning.**
No adjustments are required.
- 10 **Filter Maintenance.**
Under normal conditions clean and reoil the filter at approx. 40,000 miles/65000 km.
Use only K&N cleaner and oil and follow the instructions carefully.

K&N filters are pre oiled ready to fit.

The advantages of K&N's cold air intake system

Cooler air, being denser, will show positive improvements in power over filter systems that draw hot air from the engine bay.

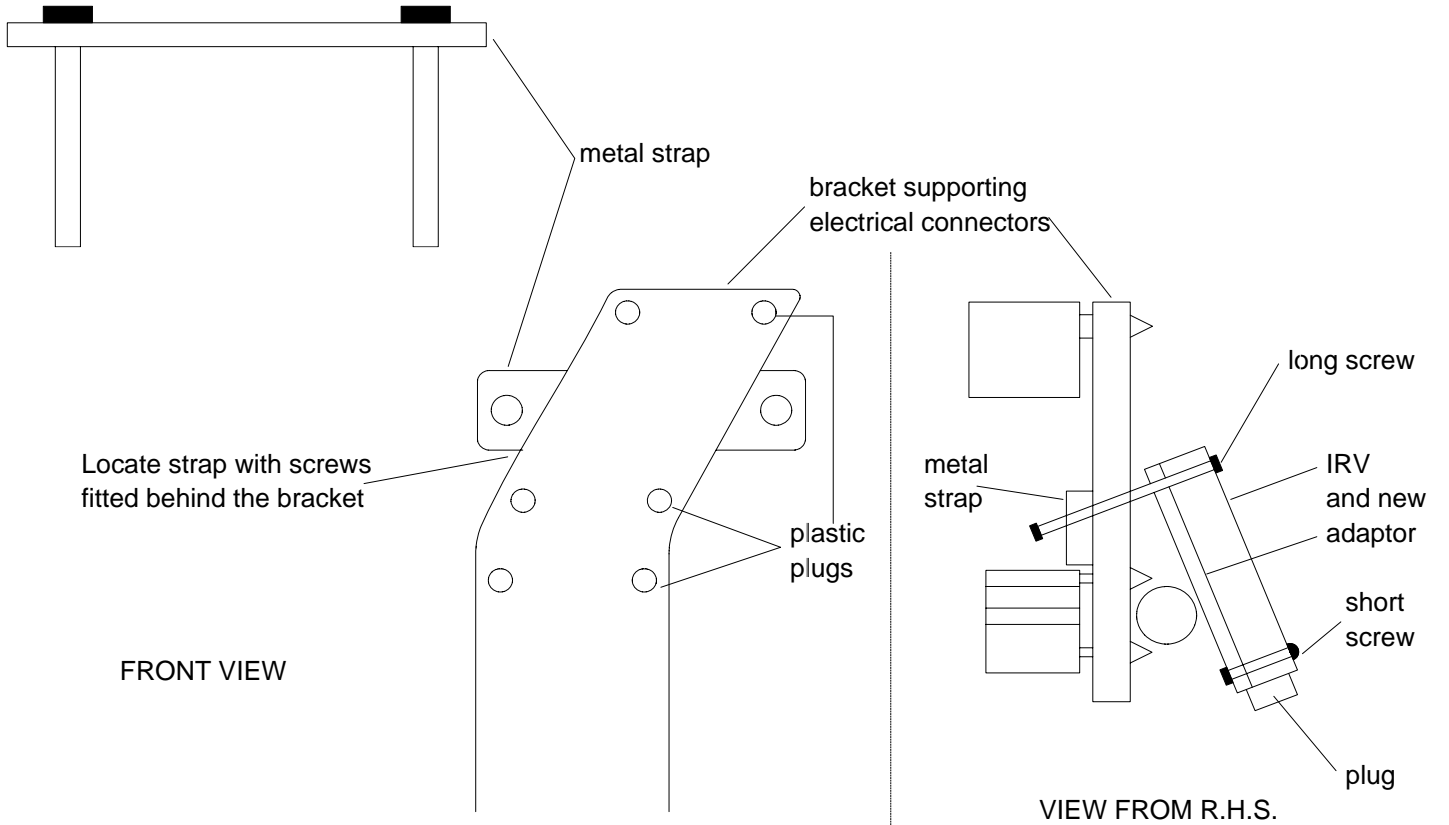
This Kit Should Contain :-

- 1 x Clamp-on filter.
- 1 x Hose clip size 60.
- 1 x Metal tube.
- 1 x Bracket.
- 1 x Metal strap.
- 1 x Adaptor.
- 1 x Rubber hose.
- 1 x Cold air hose assembly.
- 1 x Instruction sheet.
- 1 x Instruction pack:-
 - 1 x K&N Window sticker.
 - 1 x Filter maintenance sheet.
 - 1 x Million mile warranty card.
 - 1 x Leaflet.
- 1 x Fixing kit containing :-
 - 4 x 4mm hex nuts.
 - 4 x 4mm spring washers.
 - 3 x 6mm hex nuts.
 - 3 x 6mm spring washers.
 - 1 x Bracket (small).
 - 1 x Cable tie (14" long).
 - 2 x M4 x 50 buttonhead screws.
 - 1 x Gasket.

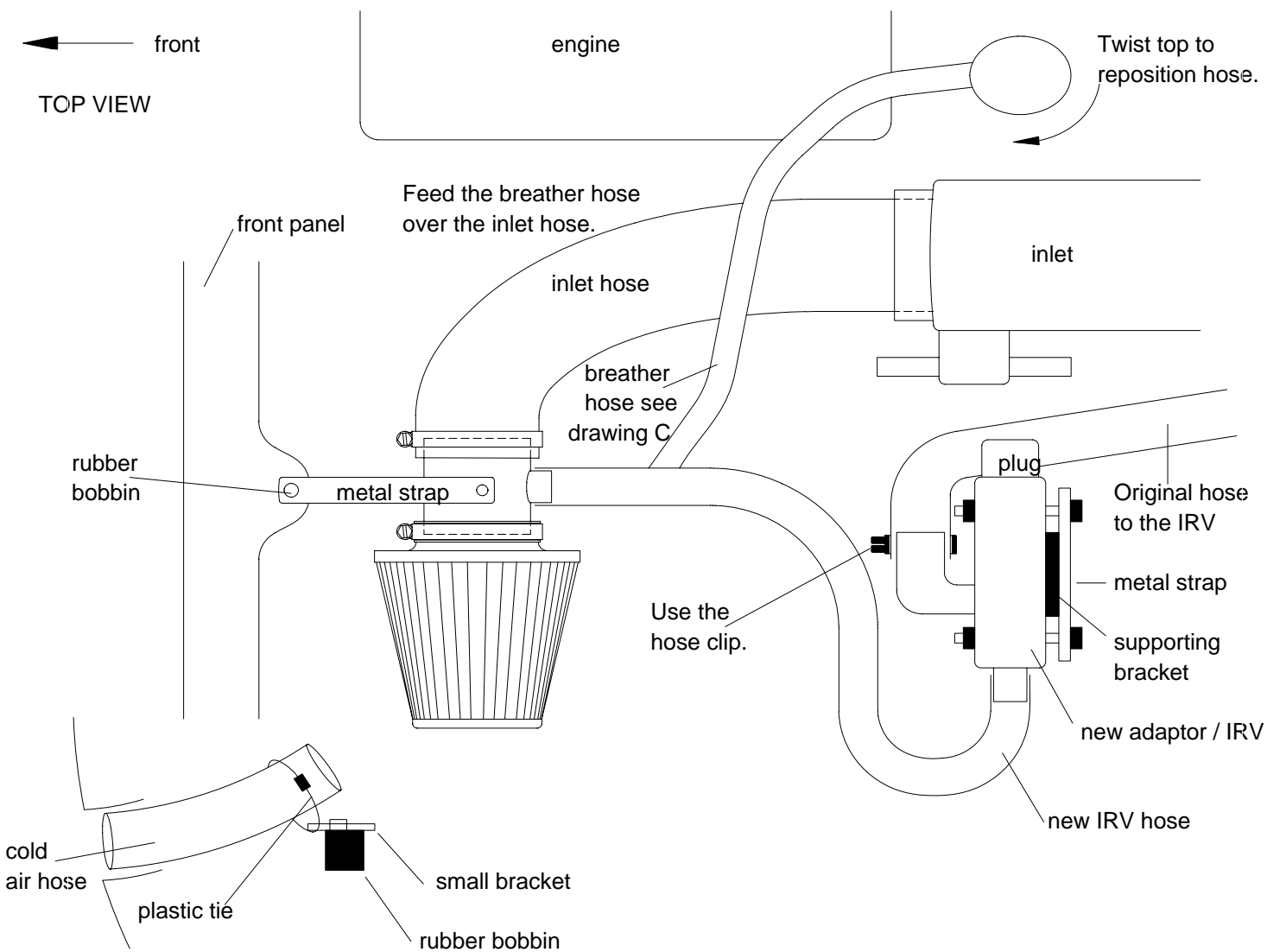
FITTING YOUR OWN 57i KIT

If not, **it is essential** that the person fitting the kit (e.g. mechanic) **carefully follows these particular instructions** even if he has fitted K&N kits before. This will save you both time and money. Kits incorrectly fitted may show a loss in performance e.g. the positioning of the essential cold air hose, (flexi expandable and rubber hoses are used).

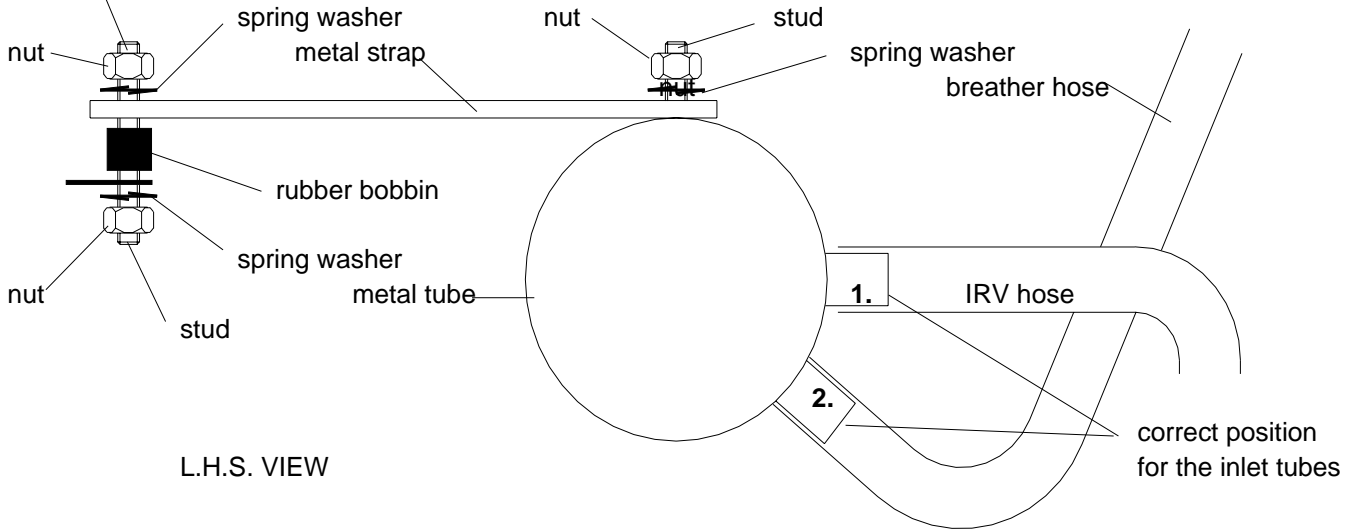
A final check under the bonnet, by yourself, with the instructions, would seem sensible.



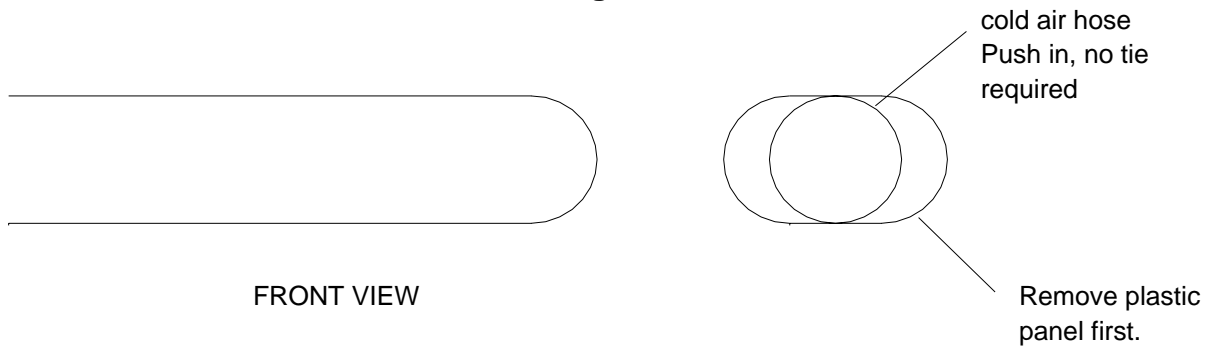
Drawing B



Drawing C



Drawing D



Drawing E For late model 1995.....

